

# MR Passenger Elevator

Hoistway Structure

Concrete  Brick & Concrete  Other

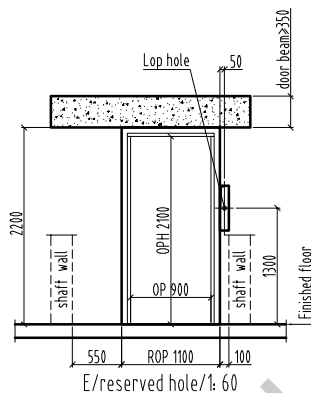
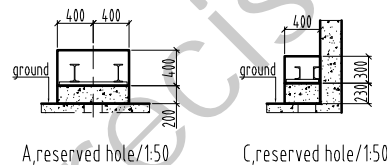
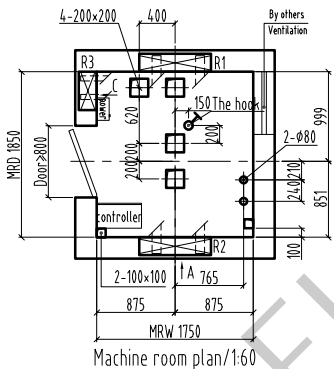
Unstandard  Standard

Compact type

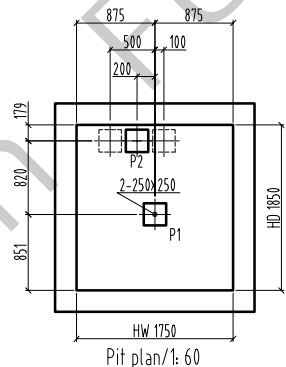
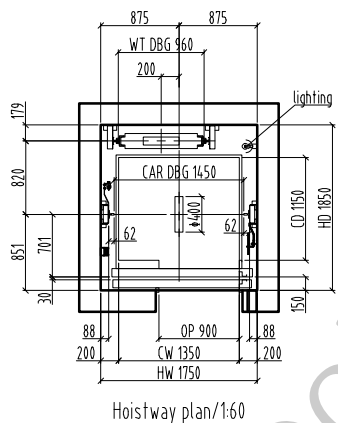
NOTE

Technical Requirement:

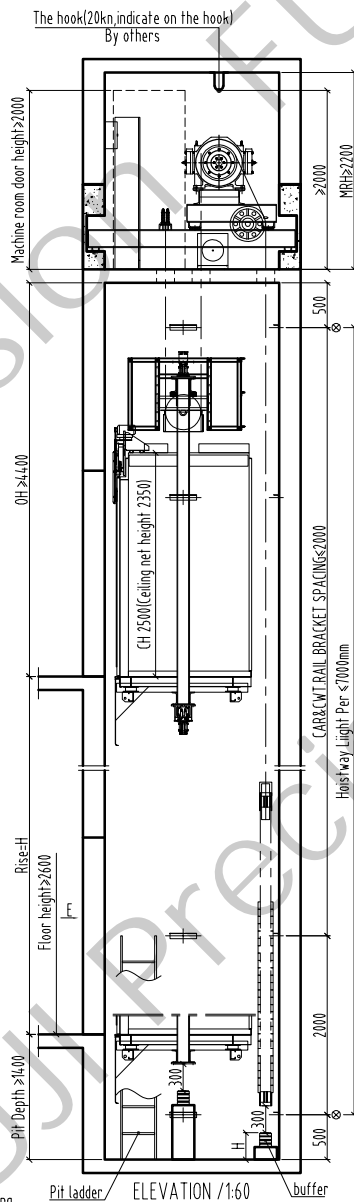
| HW      | HOISTWAY WIDTH                             | CW  | CAR INSIDE WIDTH    | Type       | TKJ 630 / 1.0 -VF       |           |           |
|---------|--|-----|---------------------|------------|-------------------------|-----------|-----------|
| HD      | HOISTWAY DEPTH                             | CD  | CAR INSIDE DEPTH    | F/P/D      | / /                     | Door type | Side open |
| OP      | DOOR OPENING WIDTH                         | CH  | CAR HEIGHT          | load       | 630 kg                  | speed     | 1.0 m/s   |
| ROP     | WALL OPENING WIDTH                         | MRW | MACHINE ROOM WIDTH  | Machine    | MCK200                  | Roping    | 2 : 1     |
| OPH     | DOOR OPENING HEIGHT                        | MRD | MACHINE ROOM DEPTH  | T/sheave   | φ 400                   | D/sheave  | φ 400     |
| OH      | OVERHEAD HEIGHT                            | MRF | MACHINE ROOM HEIGHT | car sheave | φ 400                   | CW sheave | φ 400     |
| CAR DBG | DISTANCE BETWEEN CAR GUIDE RAILS           |     |                     | Shaft      | HW 1750 mm x HD 1850 mm |           |           |
| CWT DBG | DISTANCE BETWEEN COUNTERWEIGHT GUIDE RAILS |     |                     | Cabin      | CW 1350 mm x CD 1150 mm |           |           |
|         |  |     |                     | Door       | OP 900 mm x OPH 2100 mm |           |           |



Bottom box Lop: 100x500 (base station) 100x400 (remaining stations)  
No bottom box Lop hole: φ50 hole



When  $v < 1.0$  m/s, H=300; when  $1.0$  m/s  $< v < 1.75$  m/s, H=800; when the lifting height is more than 35m, the buffer pier P2 is arranged according to the dotted line, the bearing capacity is pressed A single P2/2 calculation.



| OH    | ≥4400  |
|-------|--------|
| Rise  | H      |
| 26 F  |        |
| 25 F  |        |
| 24 F  |        |
| 23 F  |        |
| 22 F  |        |
| 21 F  |        |
| 20 F  |        |
| 19 F  |        |
| 18 F  |        |
| 17 F  |        |
| 16 F  |        |
| 15 F  |        |
| 14 F  |        |
| 13 F  |        |
| 12 F  |        |
| 11 F  |        |
| 10 F  |        |
| 9 F   |        |
| 8 F   |        |
| 7 F   |        |
| 6 F   |        |
| 5 F   |        |
| 4 F   |        |
| 3 F   |        |
| 2 F   |        |
| 1 F   |        |
| G F   |        |
| B F   |        |
| Pit   | ≥1400  |
| Floor | Height |

|                   |             |          |  |
|-------------------|-------------|----------|--|
| Drawing           | FTK 630-06- | approver |  |
| Drawing No.       |             |          |  |
| manufacturing no. |             |          |  |
| Project name      |             |          |  |

FUJI PRECISION