

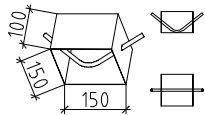
MRL Home elevator

Wire rope traction

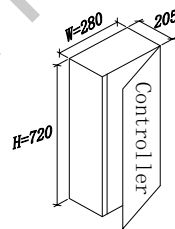
Hoistway Structure

Concrete Brick & Concrete Other

Schematic diagram of hook



Control cabinet size

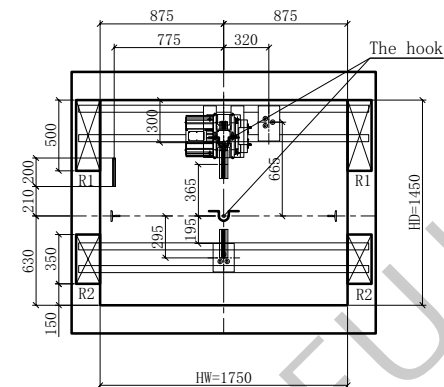


NOTE

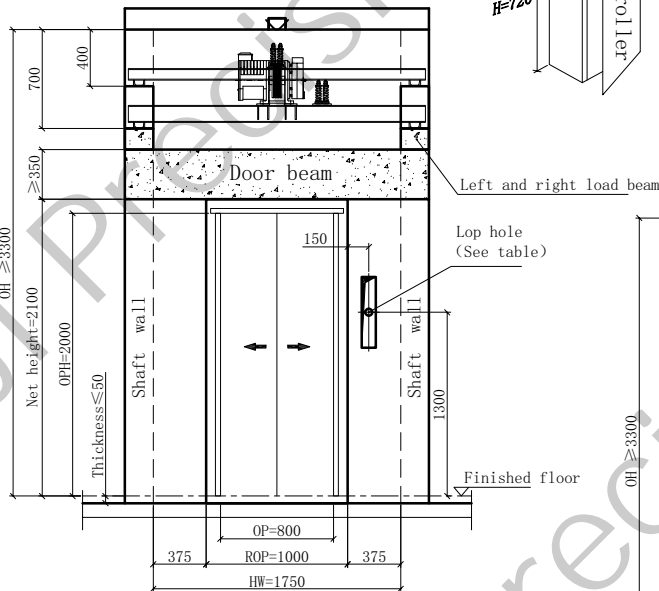
HW	HOISTWAY WIDTH	CW	CAR INSIDE WIDTH
HD	HOISTWAY DEPTH	CD	CAR INSIDE DEPTH
OP	DOOR OPENING WIDTH	CH	CAR HEIGHT
ROP	WALL OPENING WIDTH	OH	OVERHEAD HEIGHT
OPH	DOOR OPENING HEIGHT		
CAR DBG	DISTANCE BETWEEN CAR GUIDE RAILS		
CWT DBG	DISTANCE BETWEEN COUNTERWEIGHT GUIDE RAILS		

Technical Requirement

type		TJJ 400 / 0.4	
F/P/D	/ /	Door type	Center open
load	400 kg	Speed	0.4 m/s
Machine		Roping	2:1
T/sheave	φ 200	D/sheave	φ
car sheave	φ 200	CW sheave	φ 320
Shaft	HW 1750	mm x HD	1450
Cabin	CW 1350	mm x CD	950
Door	OP 800	mm x OPH	2000
Speed	0.4		(m/s)
Power	1.9		(KW)
OH	≥3300		(mm)
Pit	≥300		(mm)

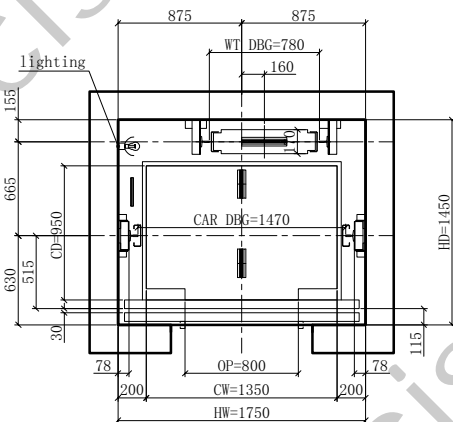


Overhead plan

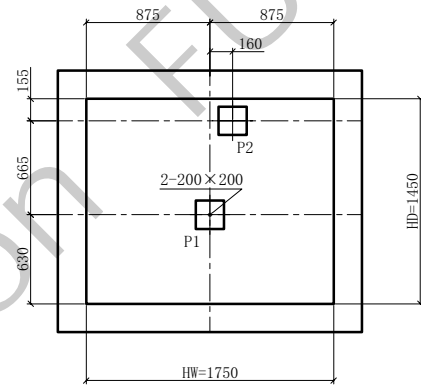


E direction Doorway schematic Facing Hoistway

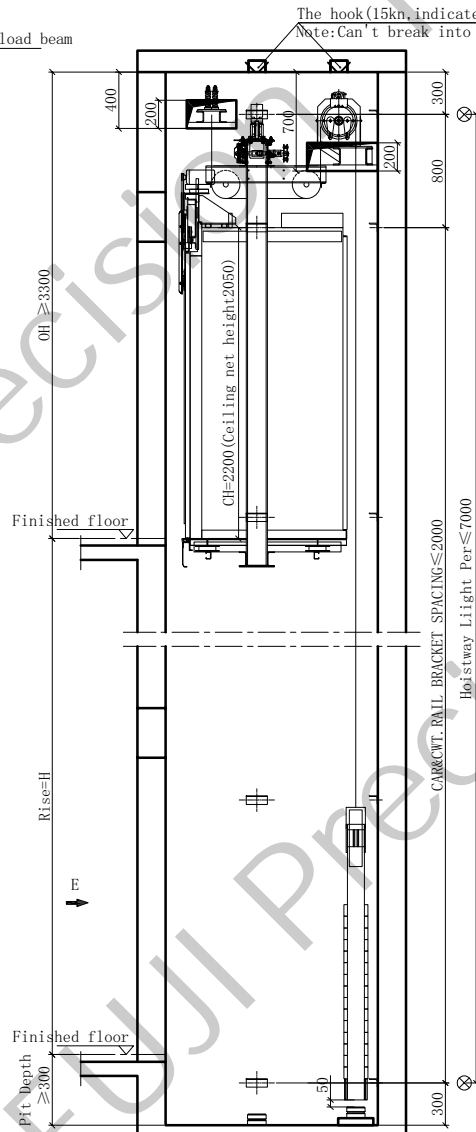
	base station	remaining stations
Bottom box Lop	100 Wx500 H	100 Wx400 H
No bottom box	φ50 hole	



Hoistway plan



Pit plan



OH	≥3300	
Rise	H	
5F		
4F		
3F		
2F		
1F		
-1F	Drawing	Approver
-2F	Drawing No.	FT-J 400 -06-
-3F	Manufacturing no.	
Pit	≥300	Project name

FUJI PRECISION

The work that the owner and the construction party should complete

1. The construction and waterproofing of pit about the shaft and machine room;
2. The dynamic power from the receiving box, piping of lighting earth line project and including the main switch;
3. Reserved hole about each exists and machine room floor;
4. The filling and whitewash project after finishing the installation about elevators door frame;
5. Machine room door, ventilation, lighting and the cinder and concrete on the floor after finishing the construction;
6. Piping and wiring about the emergency call from machine room to management room;

Others:
In accordance with the providing of the building ordinance, it is not allowed to arrange water pipe, electricity pipe, wind pipe in the shaft that are in perspective with the elevator.

380V 3phase 5wire, 50Hz, Fluctuation ±7%

Support Force (N)

R1	R2	R3	R4	P1	P2	P3	P4
28800	17200			45000	34000		